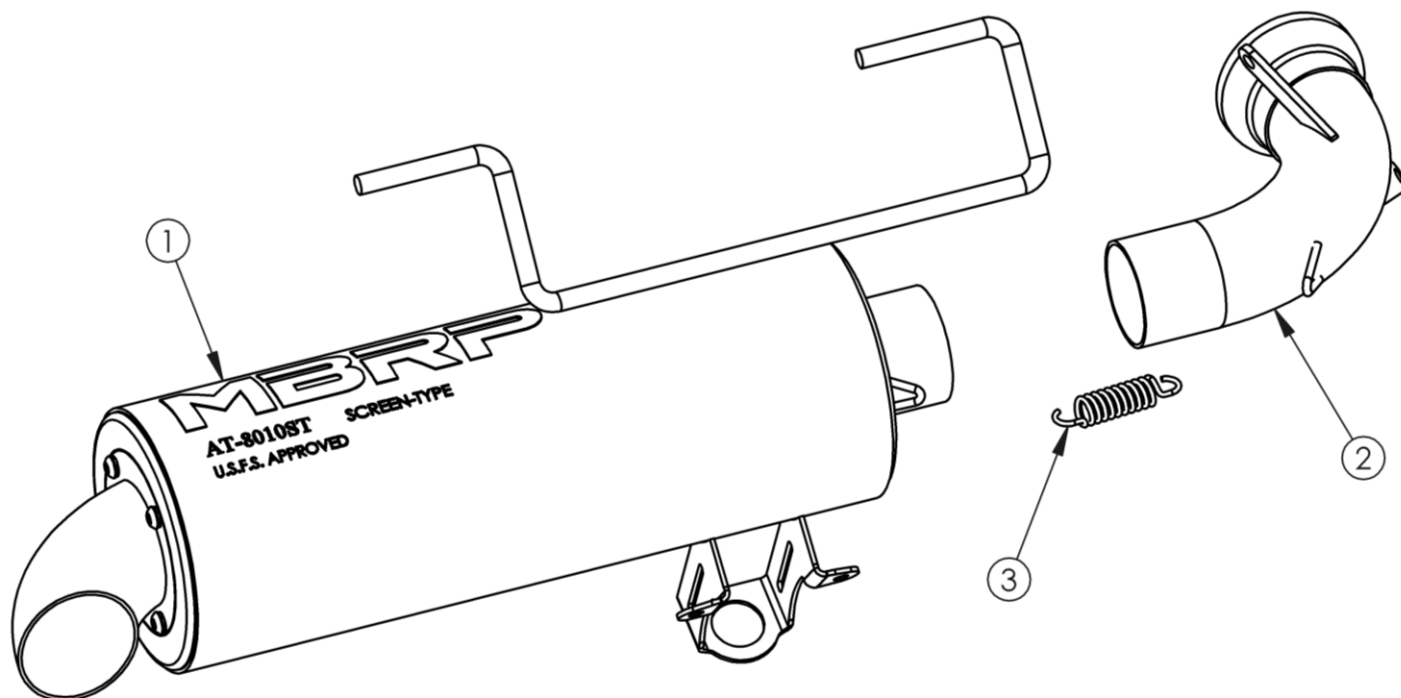


AT-8511

PERFORMANCE MUFFLER - SLIP ON
2011-2016 POLARIS 850 XP
2011-2014 POLARIS FOREST 850
2015-2016 POLARIS 850 SP
2016 POLARIS 850/1000 HIGH LIFTER

MBRP®



1. MUFFLER ASSEMBLY
2. INLET PIPE
3. EXTENSION SPRING

PLEASE READ BEFORE STARTING INSTALLATION

While MBRP has made every effort to ensure that all components of this system are of superior quality and properly packaged, it is the installer's responsibility to ensure the following before removal of the factory exhaust:

- that ALL components shown above are present.
- that ALL mating components fit together.
- that there are no damaged components.
- that the system you have purchased is appropriate for your vehicle year, model and configuration.
- that the system will not interfere with any modifications previously installed or planned.
- that you have read and understand these instructions.

If you have any questions or are uncertain about any aspect of the installation of this system to your vehicle please contact your dealer before commencing installation.

MBRP[®]

Removal of Stock Exhaust:

1. Using a 10mm socket, remove the heat shield covering the stock muffler inlet. **Refer to Figure 1.**
2. Remove the springs securing the muffler inlet to the exhaust pipe. Do not discard the springs.
3. Remove the springs attached to the support bracket on the bottom of the muffler. Do not discard the springs. **Refer to Figure 2.**
4. Remove the muffler by sliding the hangers out of the rubber insulators and past the heat shield.

Installation of MBRP Exhaust:

1. Slide the **Muffler** hangers through the heat shield opening and into the rubber insulators on the bike.
2. Install the **Inlet Pipe** onto the end of the **Muffler** inlet, securing it using the supplied **Spring**. **Refer to Figure 3.**
3. Place the cupped end of the **Inlet Pipe** onto the end of the exhaust pipe and secure it using the springs that were removed from the stock exhaust. **Refer to Figure 4.**
4. Ensure that the lower muffler support bracket is sitting in the correct position and then re-install the two springs that were removed from the stock muffler. **Refer to Figure 5.**



Figure 1



Figure 2



Figure 3



Figure 4



Figure 5



Congratulations! You are ready to begin experiencing the improved performance and driving excitement of your **MBRP** Ltd. ATV Exhaust upgrade. We know you will enjoy your purchase.